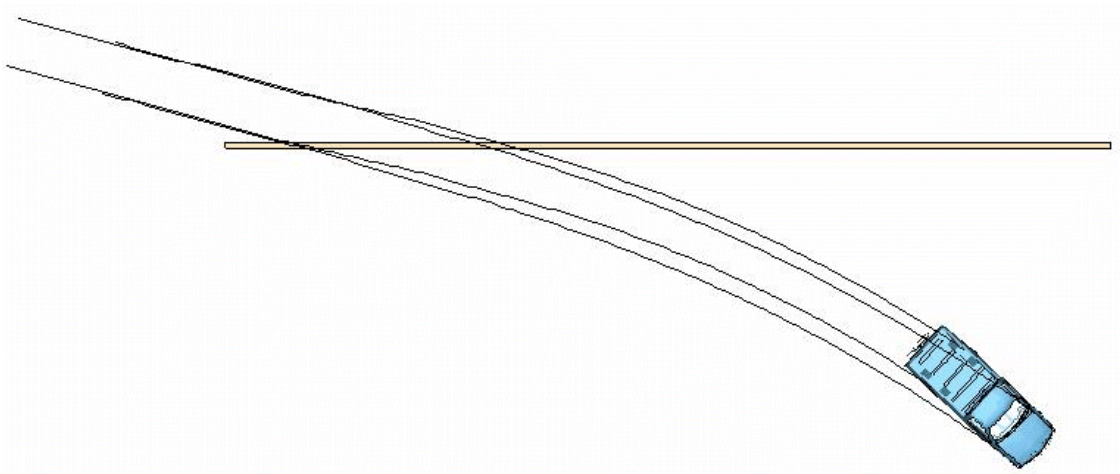


APPENDIX B

Vehicle Path The Path of Each Wheel Marked

-Finite Element Analysis Results-



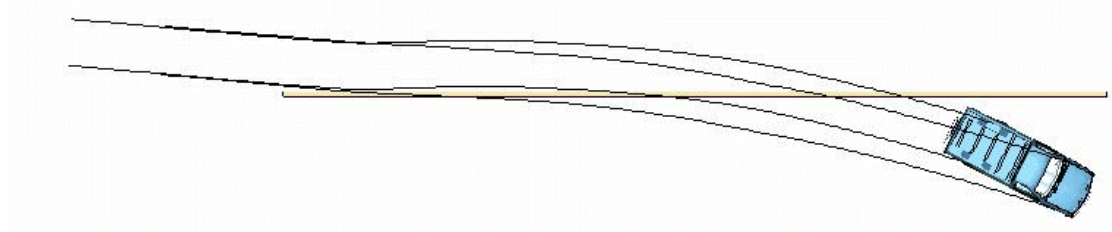


Figure B.1: Overhead view showing vehicle path from F.E. analysis:
Curb Type -- AASHTO A Curb
Impact Speed -- 70 km/hr
Impact Angle -- 5 degrees.

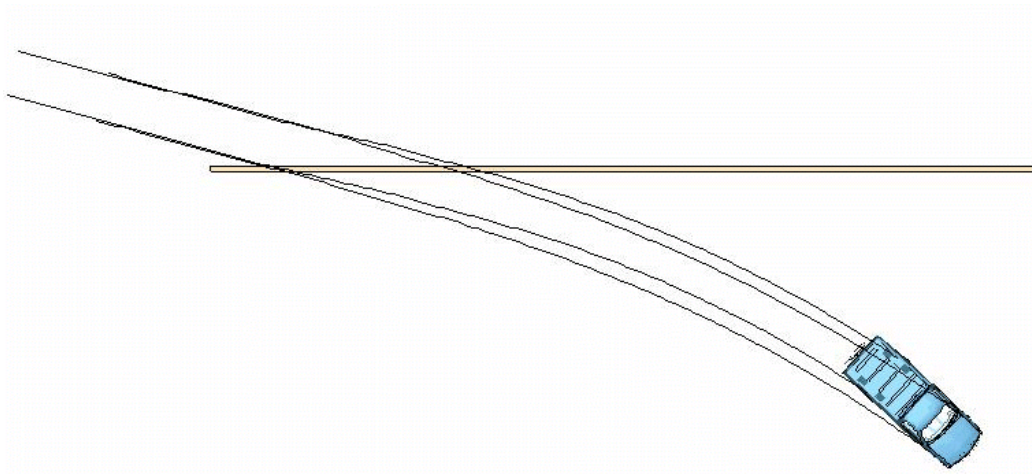


Figure B.2: Overhead view showing vehicle path from F.E. analysis:
Curb Type -- AASHTO A Curb
Impact Speed -- 70 km/hr
Impact Angle -- 15 degrees.

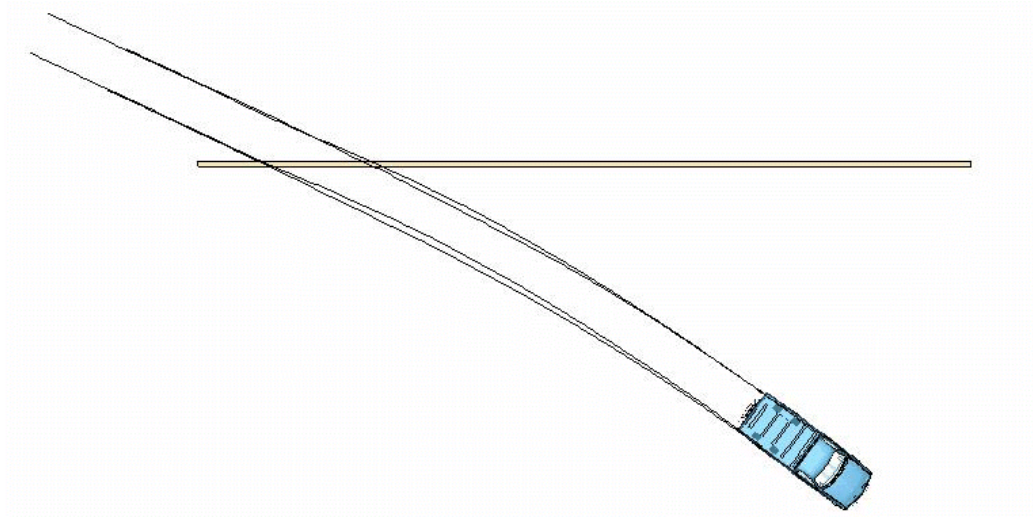


Figure B.3: Overhead view showing vehicle path from F.E. analysis:
Curb Type -- AASHTO A Curb
Impact Speed -- 70 km/hr
Impact Angle -- 25 degrees.

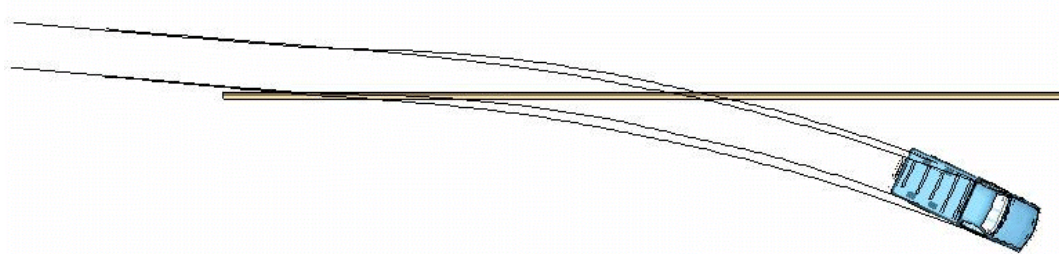


Figure B.4: Overhead view showing vehicle path from F.E. analysis:
Curb Type -- AASHTO B Curb
Impact Speed -- 70 km/hr
Impact Angle -- 5 degrees.

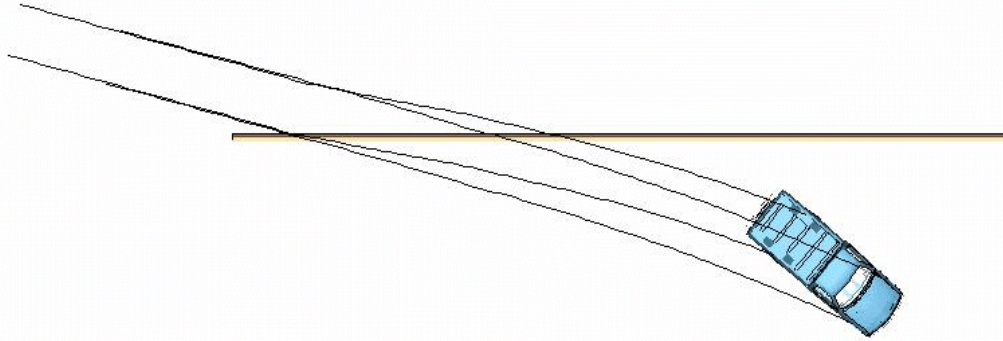


Figure B.5: Overhead view showing vehicle path from F.E. analysis:
Curb Type -- AASHTO B Curb
Impact Speed -- 70 km/hr
Impact Angle -- 15 degrees.

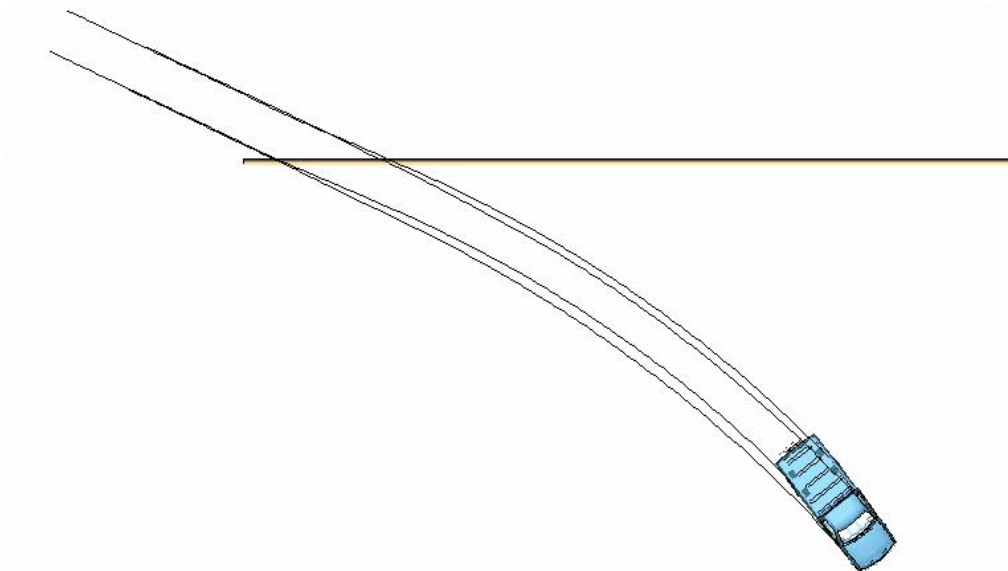


Figure B.6: Overhead view showing vehicle path from F.E. analysis:
Curb Type -- AASHTO B Curb
Impact Speed -- 70 km/hr
Impact Angle -- 25 degrees.

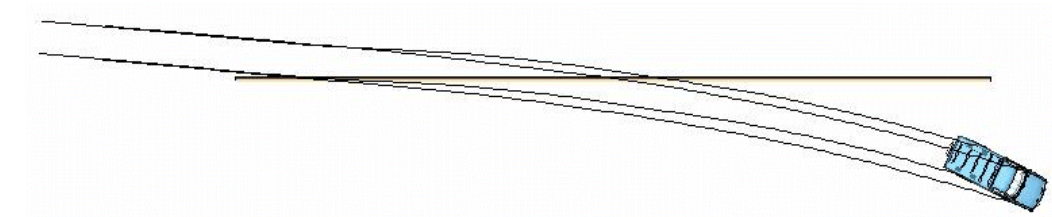


Figure B.7: Overhead view showing vehicle path from F.E. analysis:
Curb Type -- AASHTO B Curb
Impact Speed -- 100 km/hr
Impact Angle -- 5 degrees.

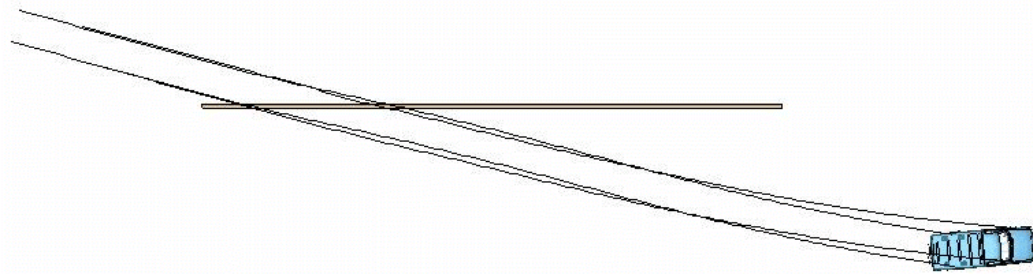


Figure B.8: Overhead view showing vehicle path from F.E. analysis:
Curb Type -- AASHTO B Curb
Impact Speed -- 100 km/hr
Impact Angle -- 15 degrees.

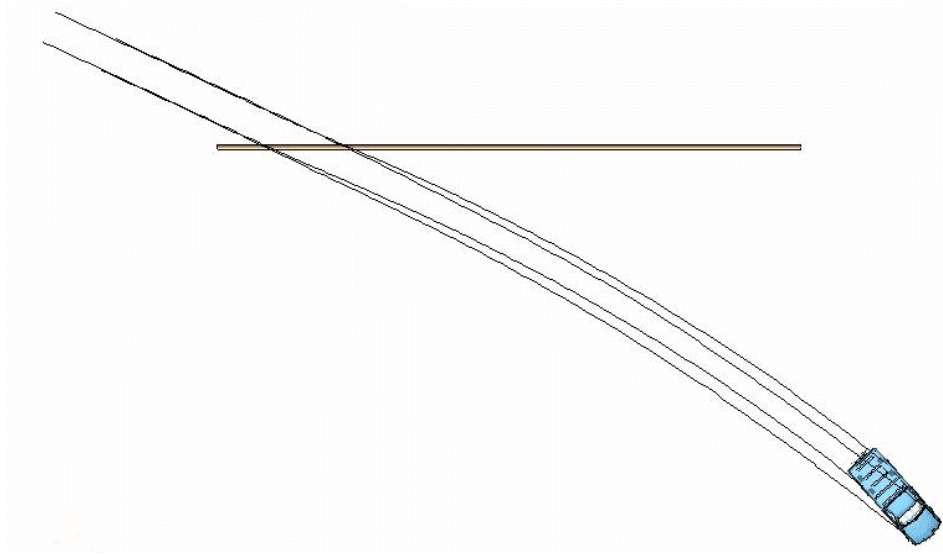


Figure B.9:

Overhead view showing vehicle path from F.E. analysis:
Curb Type -- AASHTO B Curb
Impact Speed -- 100 km/hr
Impact Angle -- 25 degrees.

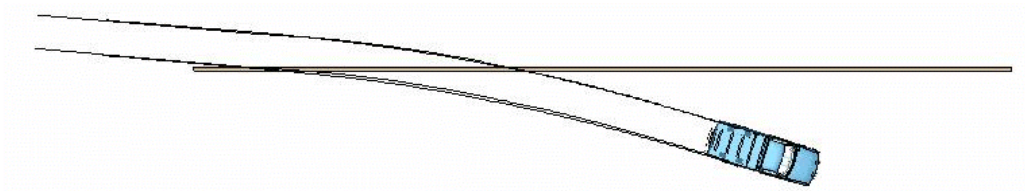


Figure B.10:

Overhead view showing vehicle path from F.E. analysis:
Curb Type -- AASHTO C Curb
Impact Speed -- 70 km/hr
Impact Angle -- 5 degrees.

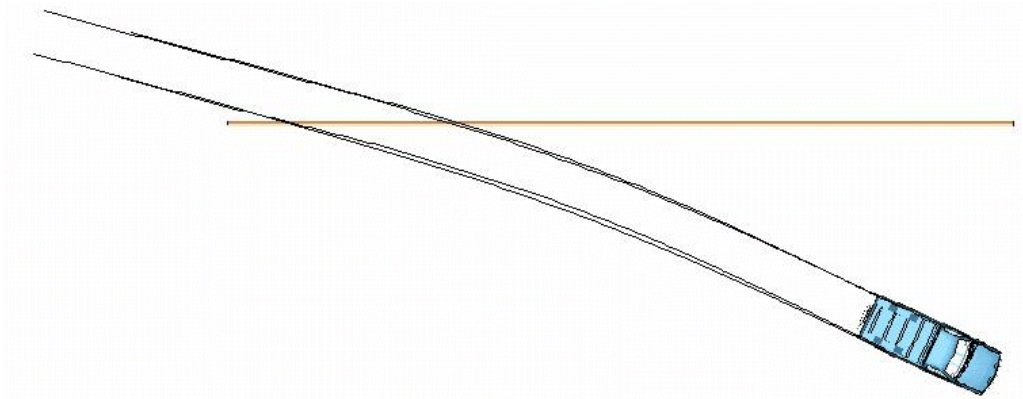


Figure B.11: Overhead view showing vehicle path from F.E. analysis:
Curb Type -- AASHTO C Curb
Impact Speed -- 70 km/hr
Impact Angle -- 15 degrees.

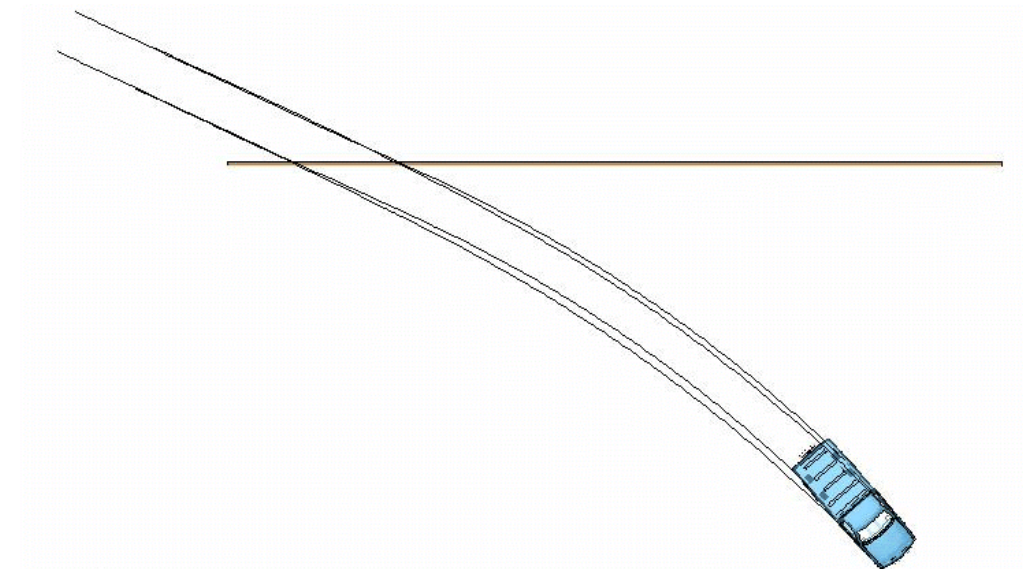


Figure B.12: Overhead view showing vehicle path from F.E. analysis:
Curb Type -- AASHTO C Curb
Impact Speed -- 70 km/hr
Impact Angle -- 25 degrees.

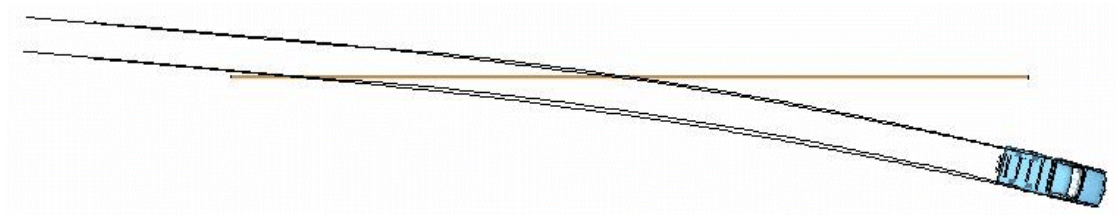


Figure B.13: Overhead view showing vehicle path from F.E. analysis:
Curb Type -- AASHTO C Curb
Impact Speed -- 100 km/hr
Impact Angle -- 5 degrees.

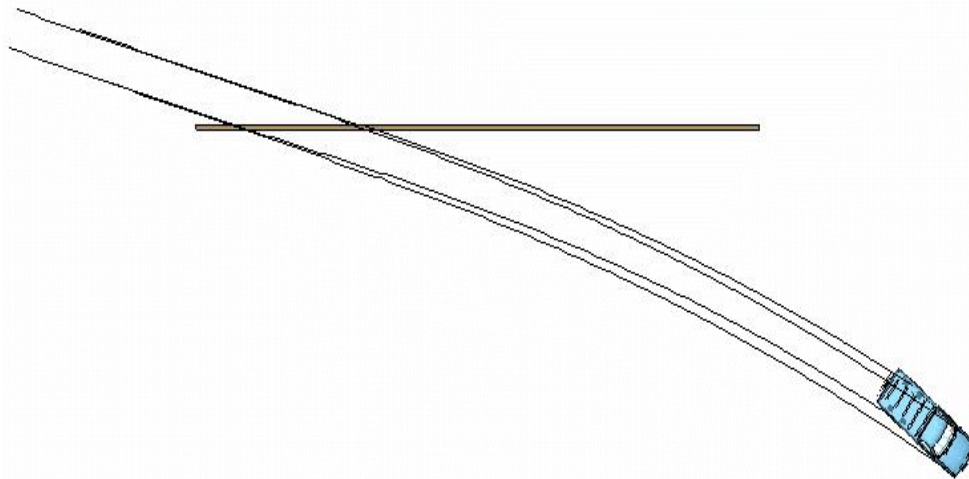


Figure B.14: Overhead view showing vehicle path from F.E. analysis:
Curb Type -- AASHTO C Curb
Impact Speed -- 100 km/hr
Impact Angle -- 15 degrees.

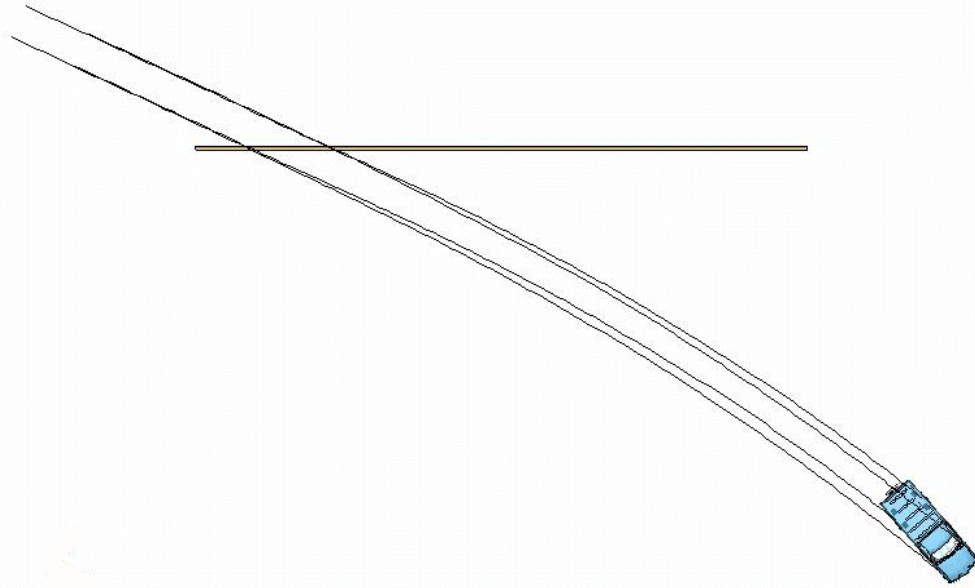


Figure B.15: **Overhead view showing vehicle path from F.E. analysis:**
Curb Type -- AASHTO C Curb
Impact Speed -- 100 km/hr
Impact Angle -- 25 degrees.

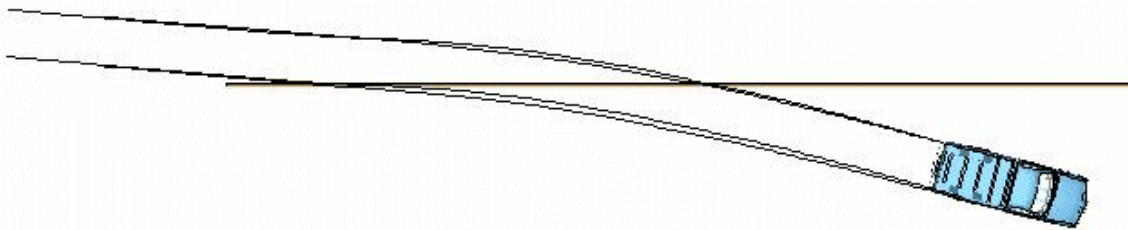


Figure B.16: **Overhead view showing vehicle path from F.E. analysis:**
Curb Type -- AASHTO D Curb
Impact Speed -- 70 km/hr
Impact Angle -- 5 degrees.

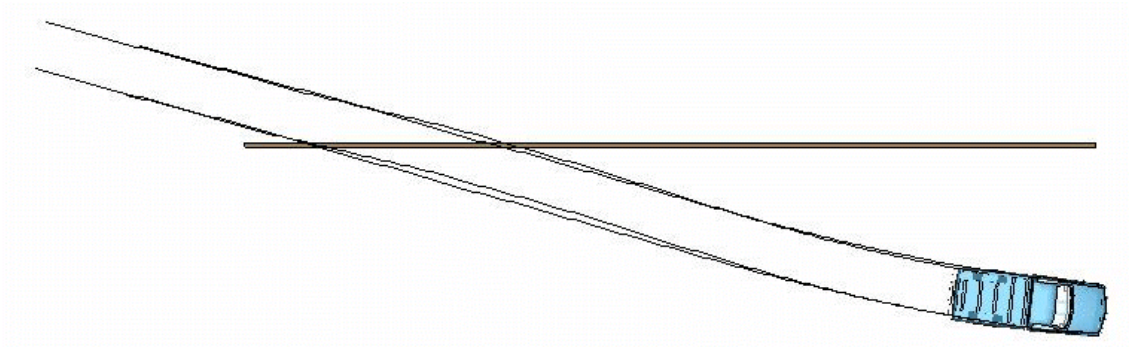


Figure B.17: Overhead view showing vehicle path from F.E. analysis:
Curb Type -- AASHTO D Curb
Impact Speed -- 100 km/hr
Impact Angle -- 15 degrees.

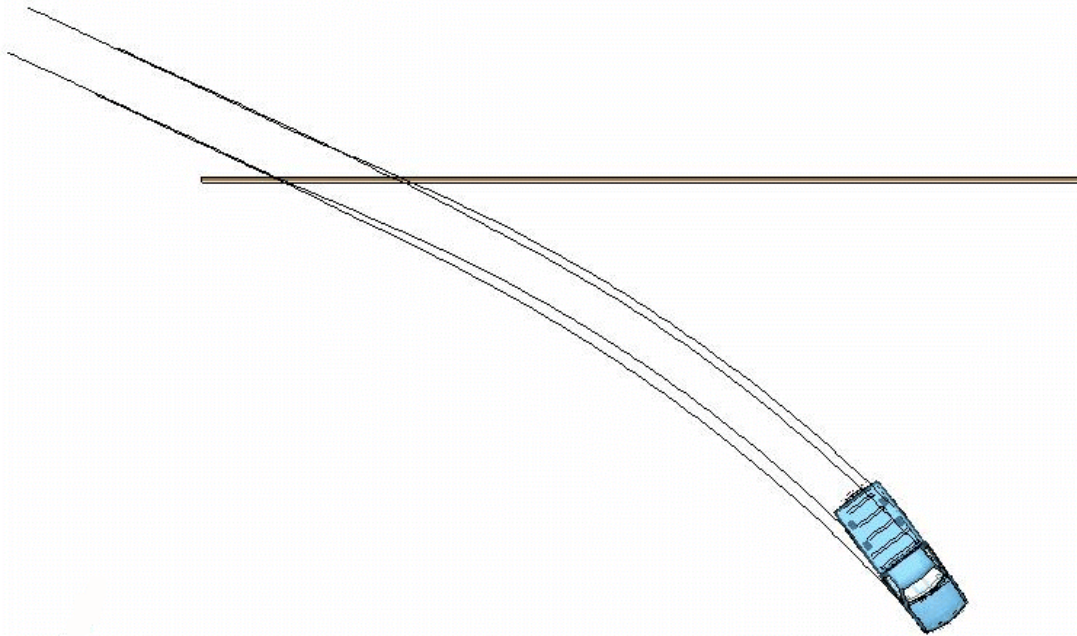


Figure B.18: Overhead view showing vehicle path from F.E. analysis:
Curb Type -- AASHTO D Curb
Impact Speed -- 70 km/hr
Impact Angle -- 25 degrees.

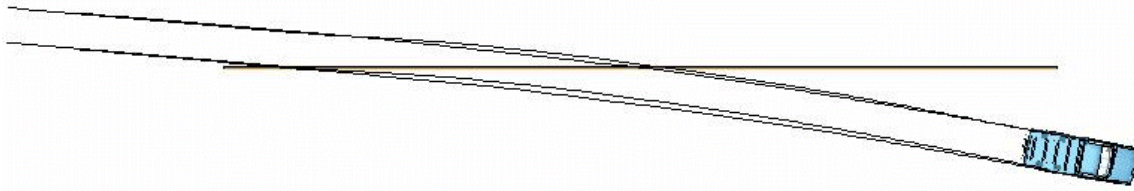


Figure B.19: Overhead view showing vehicle path from F.E. analysis:
Curb Type -- AASHTO D Curb
Impact Speed -- 100 km/hr
Impact Angle -- 5 degrees.

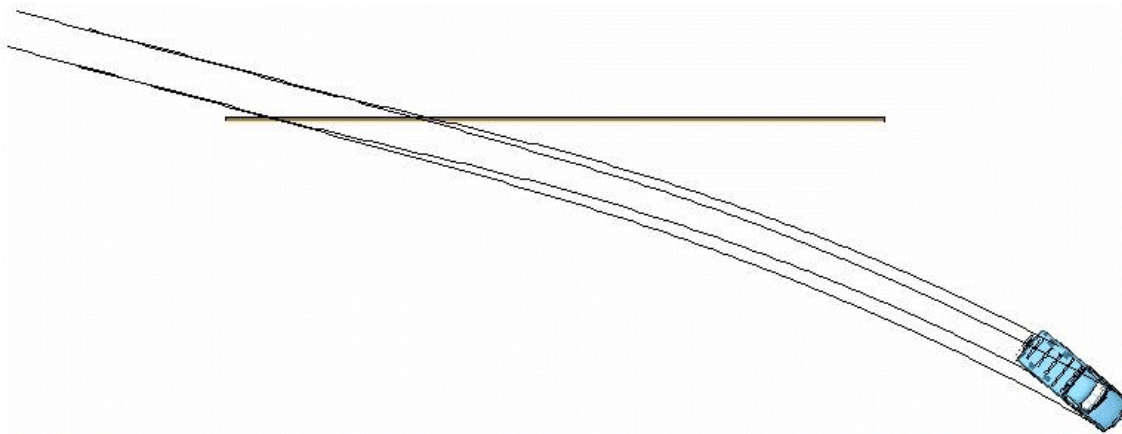


Figure B.20: Overhead view showing vehicle path from F.E. analysis:
Curb Type -- AASHTO D Curb
Impact Speed -- 100 km/hr
Impact Angle -- 15 degrees.

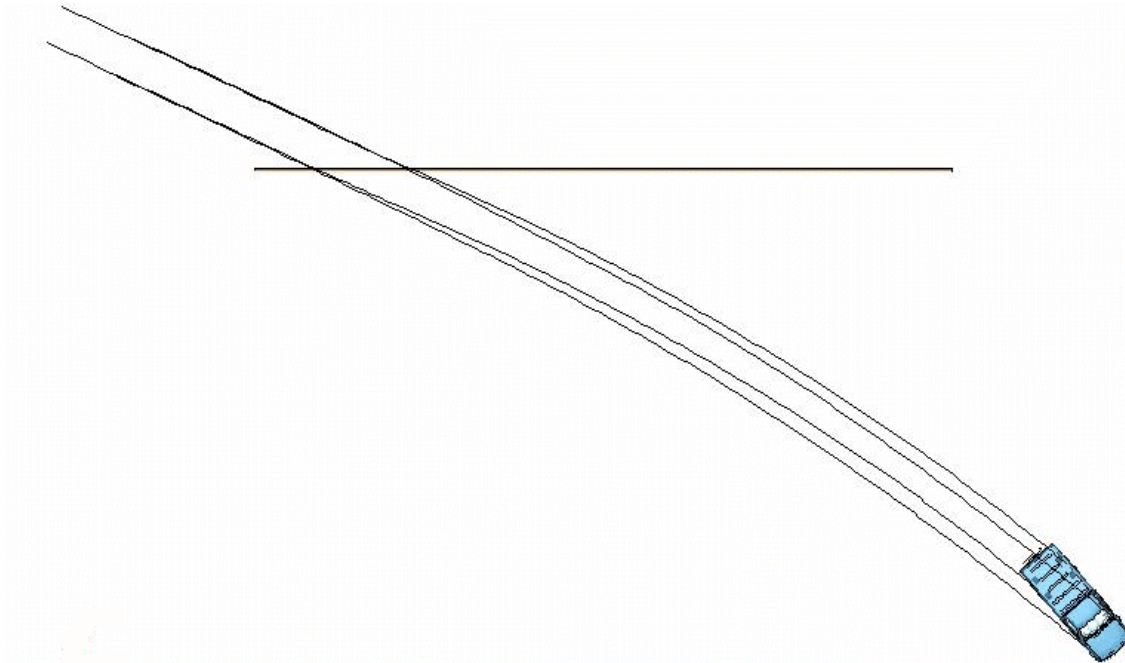


Figure B.21: Overhead view showing vehicle path from F.E. analysis:
Curb Type -- AASHTO D Curb
Impact Speed -- 100 km/hr
Impact Angle -- 25 degrees.

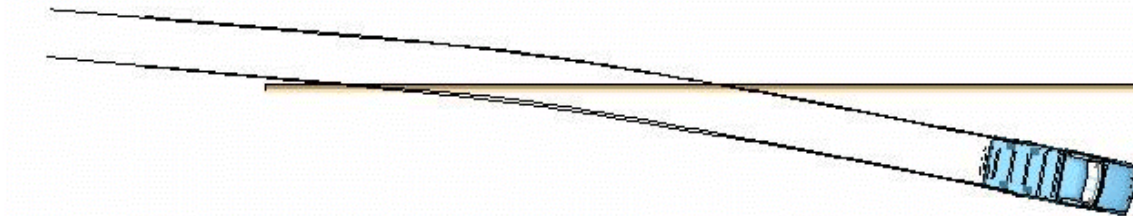


Figure B.22: Overhead view showing vehicle path from F.E. analysis:
Curb Type -- AASHTO G Curb
Impact Speed

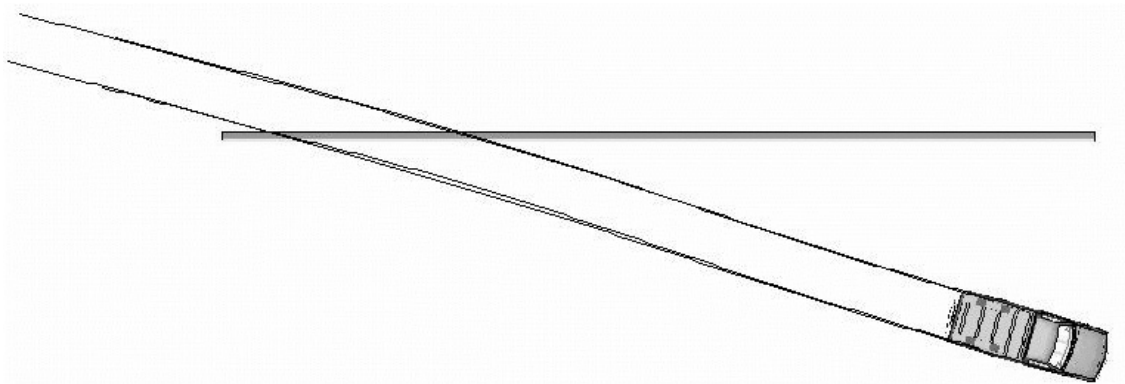


Figure B.23: Overhead view showing vehicle path from F.E. analysis:
Curb Type -- AASHTO G Curb
Impact Speed -- 70 km/hr
Impact Angle -- 15 degrees.

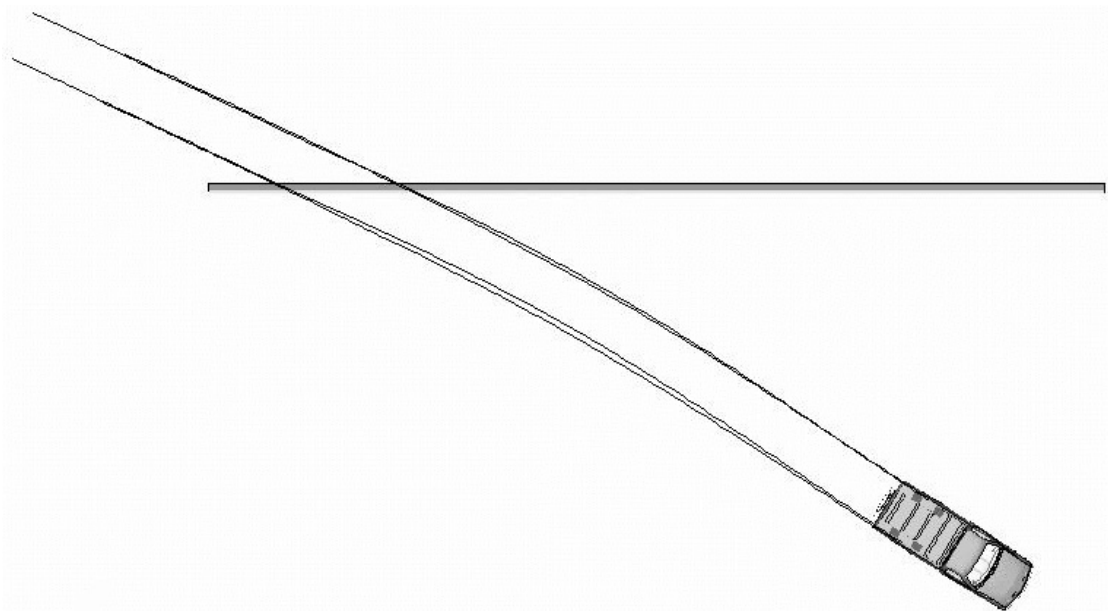


Figure B.24: Overhead view showing vehicle path from F.E. analysis:
Curb Type -- AASHTO G Curb
Impact Speed -- 70 km/hr
Impact Angle -- 25 degrees.

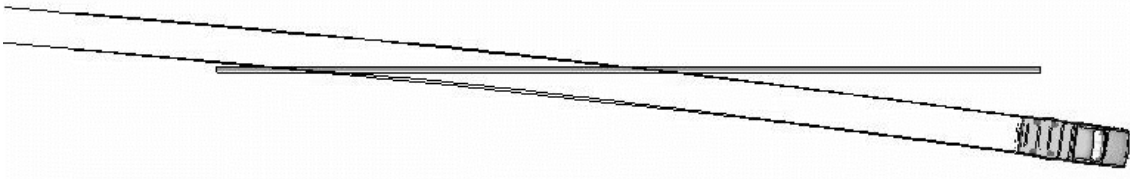


Figure B.25: Overhead view showing vehicle path from F.E. analysis:
Curb Type -- AASHTO G Curb
Impact Speed -- 100 km/hr
Impact Angle -- 5 degrees.

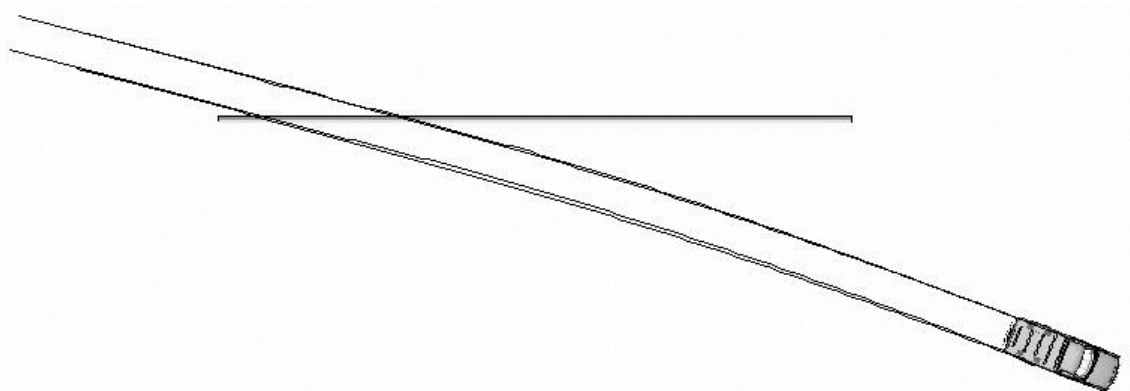


Figure B.26: Overhead view showing vehicle path from F.E. analysis:
Curb Type -- AASHTO G Curb
Impact Speed -- 100 km/hr
Impact Angle -- 15 degrees.

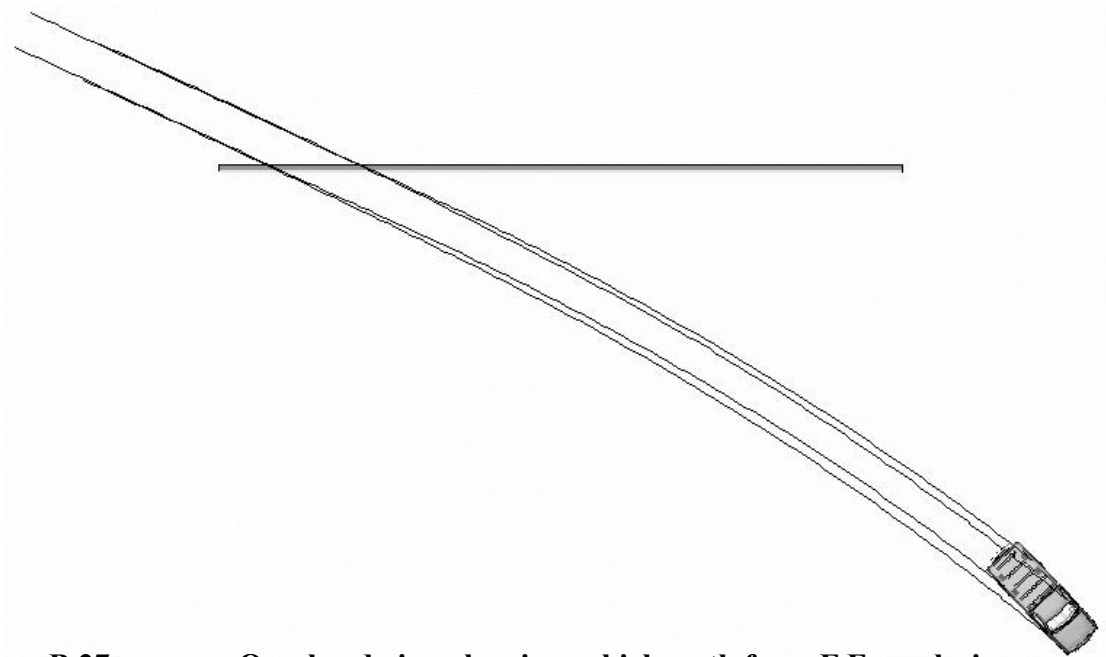


Figure B.27: Overhead view showing vehicle path from F.E. analysis:
Curb Type -- AASHTO G Curb
Impact Speed -- 100 km/hr
Impact Angle -- 25 degrees.

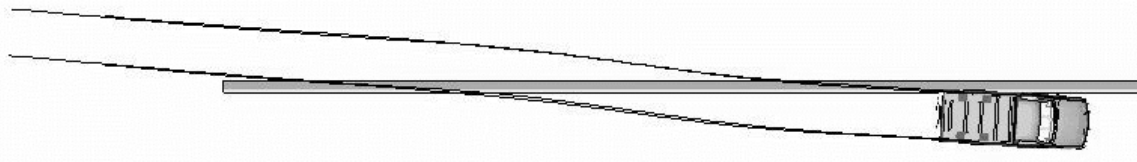


Figure B.28: Overhead view showing vehicle path from F.E. analysis:
Curb Type -- New York Curb (100 mm)
Impact Speed -- 70 km/hr
Impact Angle -- 5 degrees.

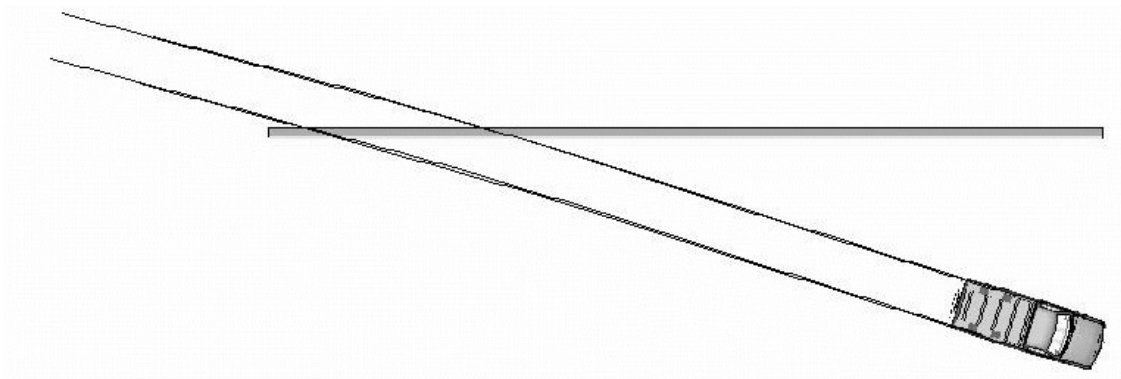


Figure B.29: Overhead view showing vehicle path from F.E. analysis:
Curb Type -- New York Curb (100 mm)
Impact Speed -- 100 km/hr
Impact Angle -- 15 degrees.

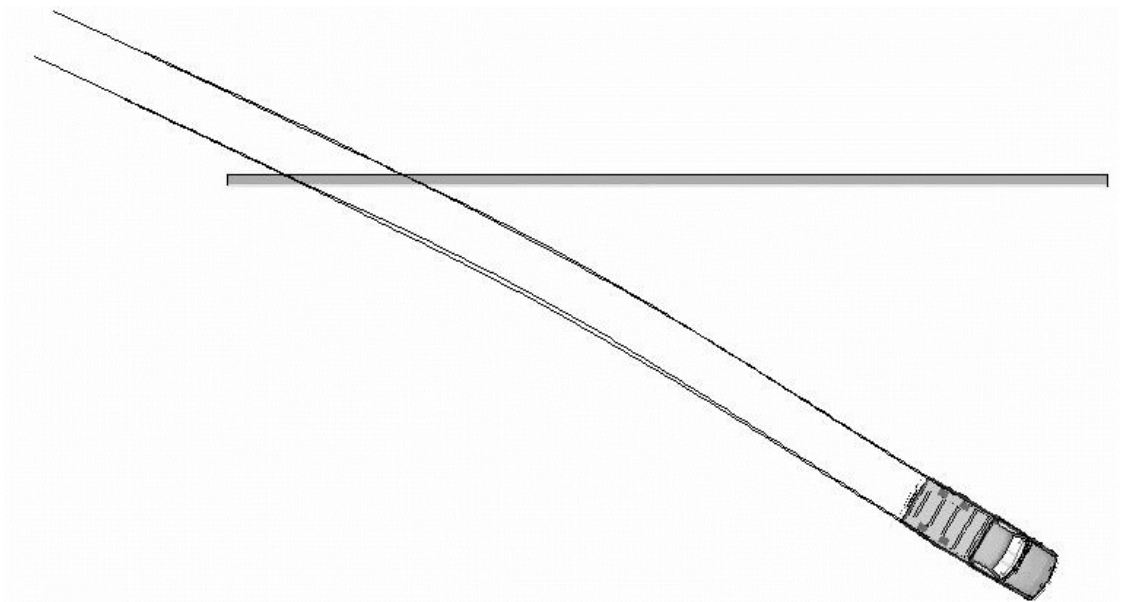


Figure B.30: Overhead view showing vehicle path from F.E. analysis:
Curb Type -- New York Curb (100 mm)
Impact Speed -- 70 km/hr
Impact Angle -- 25 degrees.

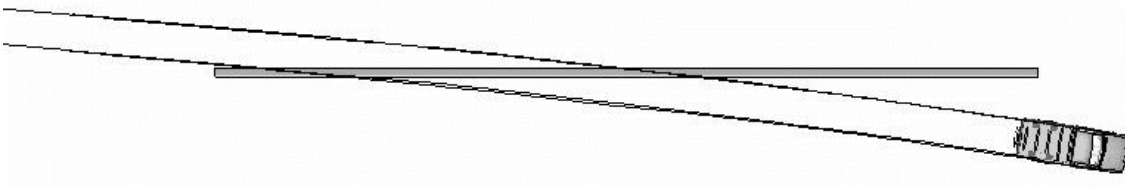


Figure B.31: Overhead view showing vehicle path from F.E. analysis:
Curb Type -- New York Curb (100 mm)
Impact Speed -- 100 km/hr
Impact Angle -- 5 degrees.

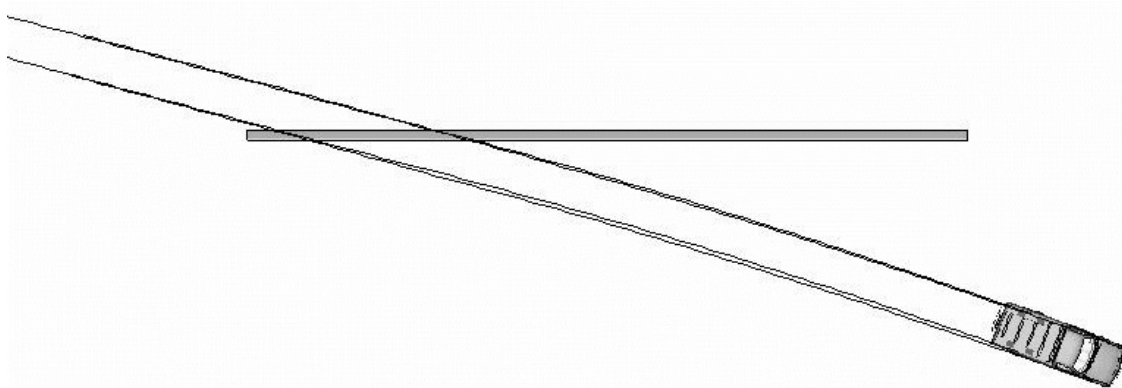


Figure B.32: Overhead view showing vehicle path from F.E. analysis:
Curb Type -- New York Curb (100 mm)
Impact Speed -- 100 km/hr
Impact Angle -- 15 degrees.

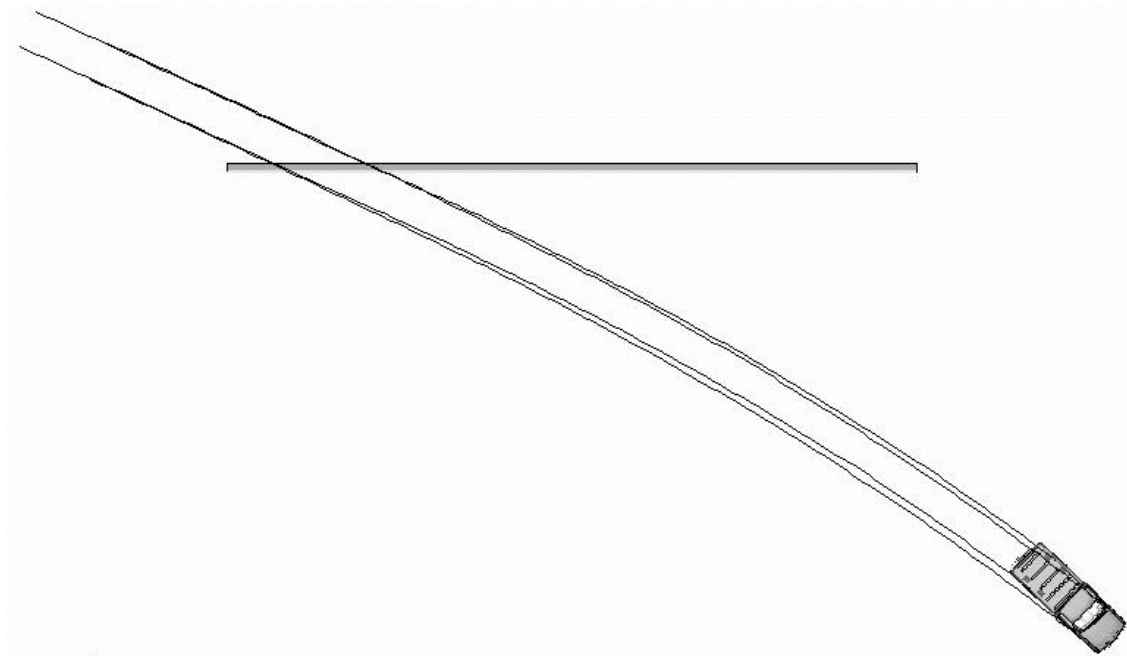


Figure B.33: Overhead view showing vehicle path from F.E. analysis:
Curb Type -- New York Curb (100 mm)
Impact Speed -- 100 km/hr
Impact Angle -- 25 degrees.