



(103-0057 & 103-0058 Appear Identical)

The Remote Control Panel is designed for use with Statitrol® Ionization Fire Detector Models 102-040, & 104-040. Primarily for use with Duct Detectors, using Housing Nos. 103-0044 & 103-0045. The Panel can also be used with ceiling detectors.

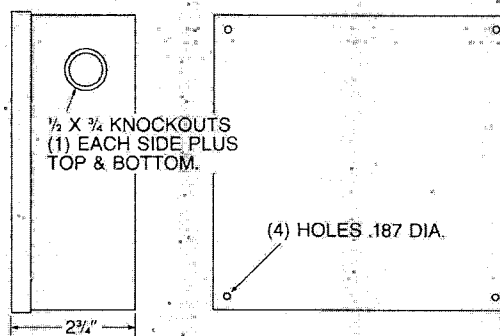
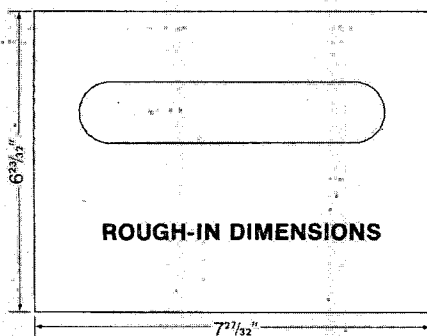
*How?*

The Remote Control Panel provides heavy-duty auxiliary relay contacts to handle the higher voltage, heavier current fan shut-down circuits often encountered on Duct Applications. It also provides light indication to show mode of detector operation especially useful when duct detectors are mounted in remote locations. A test switch and a reset switch are also provided.

**GENERAL SPECIFICATIONS:**

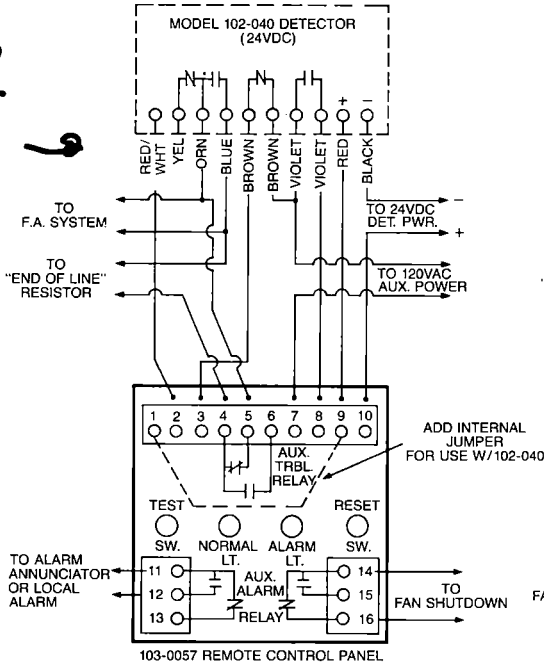
- Normal (Amber) Light ON when detector power is ON & detector trouble relay is in normal supervision mode, i.e., contacts closed.
- Alarm (Red) Light ON when detector is in alarm.

- Test Switch (key operated)—To remote test the detector for proper alarm operation.
- Reset Switch (key operated)—To reset detector from alarm.
- Trouble Relay—One set SPDT contacts rated 120VAC, 5 Amp., Inductive.
- Alarm Relay in *Control Package 103-0057*: Two sets SPDT contacts rated 120VAC, 5 Amp., Inductive.
- Alarm Relay on *Control Package 103-0058*: One set SPDT contacts rated 600VAC, 16 Amp., Inductive.

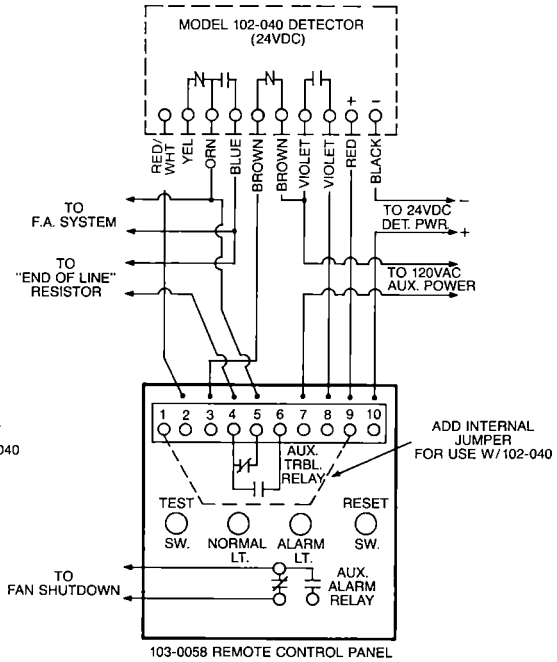


TYPICAL WIRING DIAGRAMS

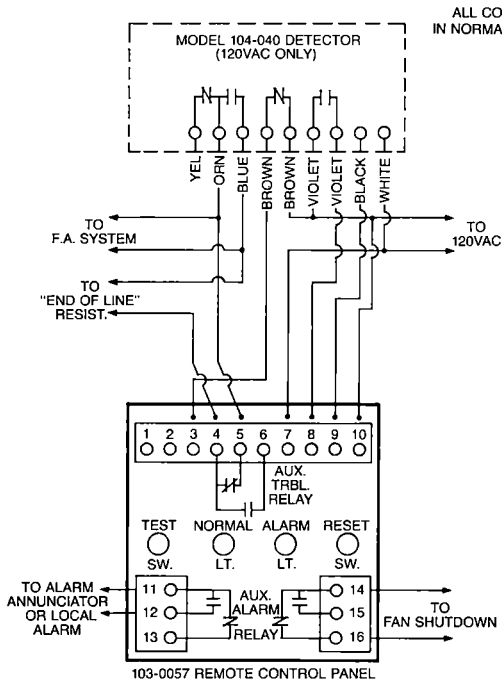
Red/wht or green?



103-0057 REMOTE CONTROL PANEL  
FOR LOW VOLTAGE (102-040) DETECTOR  
120 VOLT AUX. ALARM CONTACTS

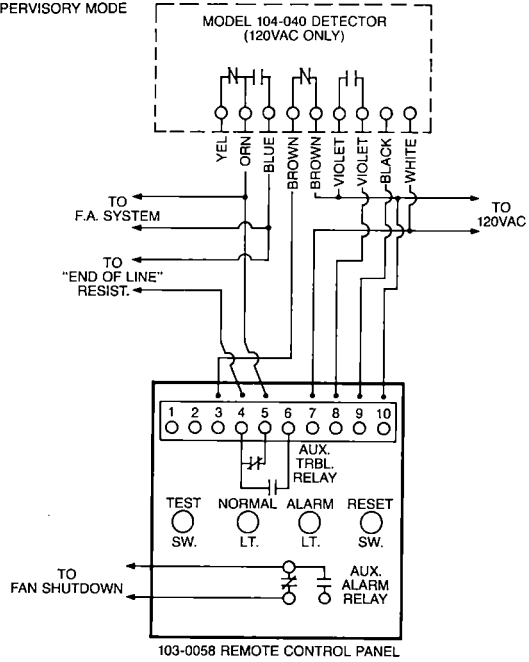


103-0058 REMOTE CONTROL PANEL  
FOR LOW VOLTAGE (102-040) DETECTOR  
600 VOLT AUX. ALARM CONTACTS



103-0057 REMOTE CONTROL PANEL  
FOR LINE VOLTAGE (104-040) DETECTOR  
120 VOLT AUX. ALARM CONTACTS

ALL CONTACTS ARE SHOWN  
IN NORMAL SUPERVISORY MODE



103-0058 REMOTE CONTROL PANEL  
FOR LINE VOLTAGE (104-040) DETECTOR  
600 VOLT AUX. ALARM CONTACTS



NOTE: Remote Test cannot be used with Standard Model 104-040 Detector. When this feature is required, order Model 104-040 with Remote Test

Capability which is furnished with two extra leads (red and red/wht), for connection to terminals 1 and 2 on Remote Control Panel.

Ordering Information:

Finish—Red Texture.  
Shipping Weight—4 lbs.  
Control Package 103-0057 available for use with 24VDC supervisory power on special order basis only.

When Auxiliary Trouble Relay is not required, Panel can be supplied with this relay connected as an extra Aux. Alarm Relay on special order basis only.

